

High Pressure Centrifugal Industrial Pumps



**Vertical & Horizontal
Multi-Stage
Coolant Series**



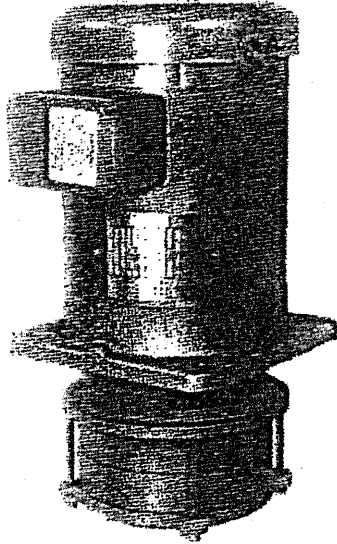
GUSHER Features Available:

1 Pressure to 400 P.S.I.
2 Pressurized System.

3 Double Pump High and Low Pressure with one common motor.
4 Balanced mechanical seal or silicon and tungsten available.

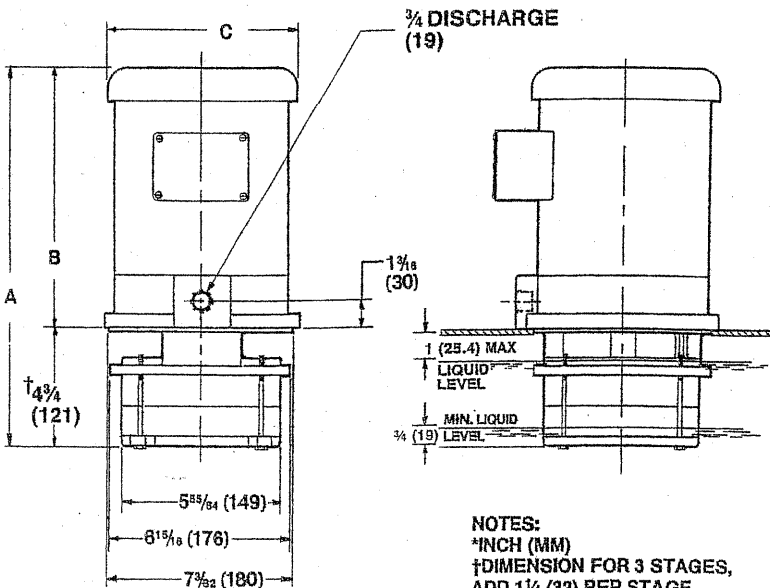
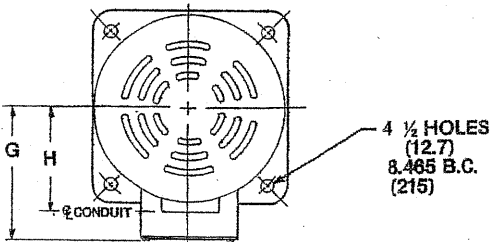
WHEN ORDERING SPECIFY:

- Model No. MSC 3.5 or MSC 4
- Number of Stages
- Operating Conditions, G.P.M. & T.D.H. In Feet or P.S.I.
- Motor Horse Power and Current Characteristics
- N.R.T. or B.S.P.T. Discharge
- Motor Speed 3450 R.P.M.S.

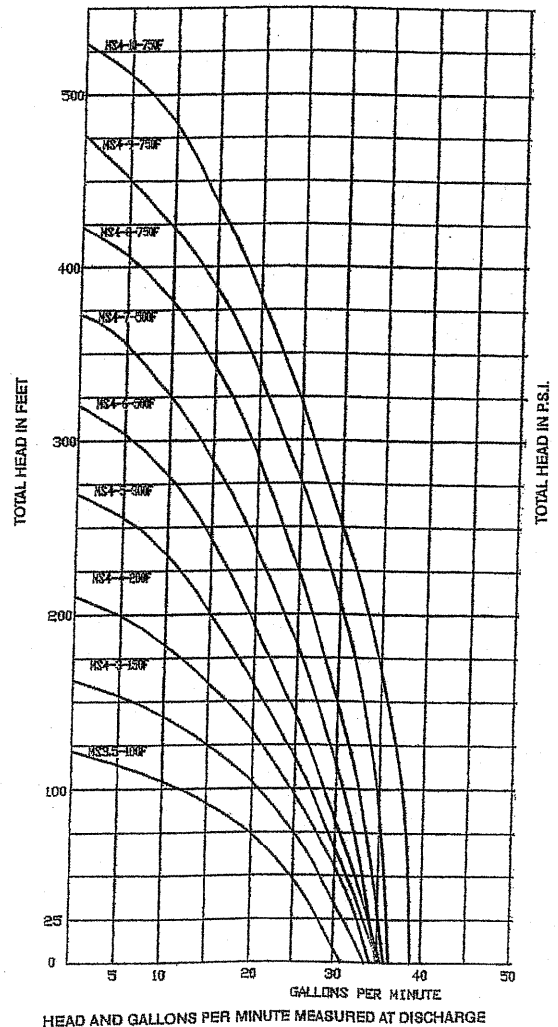
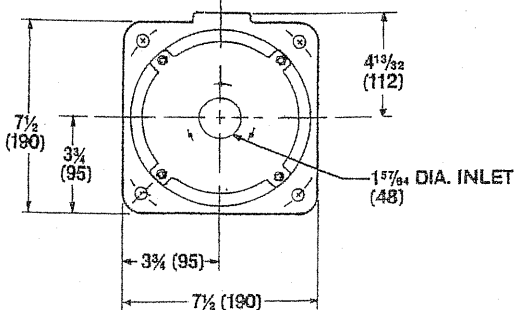


Dimensions in Inches (mm)*

HP	NO STAGES	MODEL	DISCH. SIZE	A	B	C	G	H
1	3	MSC3.5-3-100FJ	3/4	17.49 (444)	12.75 (324)	7.0 (178)	5.25 (133)	4.25 (108)
1 1/2	3	MSC4-3-150FJ	3/4	17.49 (444)	12.75 (324)	7.0 (178)	5.25 (133)	4.25 (108)
2	4	MAC4-4-200FJ	3/4	19.89 (500)	13.75 (349)	7.0 (178)	5.25 (133)	4.25 (108)
3	5	MAC4-5-300FJ	3/4	21.63 (550)	14.50 (368)	7.0 (178)	5.25 (133)	4.25 (108)
5	6	MSC4-6-500FJ	3/4	24.03 (612)	15.75 (400)	8.50 (216)	5.87 (149)	4.87 (124)
5	7	MSC4-7-500FJ	3/4	25.50 (648)	15.75 (400)	8.50 (216)	5.87 (149)	4.87 (124)
5	8	MSC4-8-500FJ	3/4	26.75 (680)	15.75 (400)	8.50 (216)	5.87 (149)	4.87 (124)
7 1/2	8	MSC4-8-750FJ	3/4	28.25 (718)	17.25 (438)	8.50 (216)	5.87 (149)	4.87 (124)
7 1/2	9	MBC4-9-750FJ	3/4	29.25 (743)	17.25 (438)	8.50 (216)	5.87 (149)	4.87 (124)
7 1/2	10	MSC4-10-750FJ	3/4	30.50 (775)	17.25 (438)	8.50 (216)	5.87 (149)	4.87 (124)



NOTES:
*INCH (MM)
†DIMENSION FOR 3 STAGES,
ADD 1 1/4 (32) PER STAGE



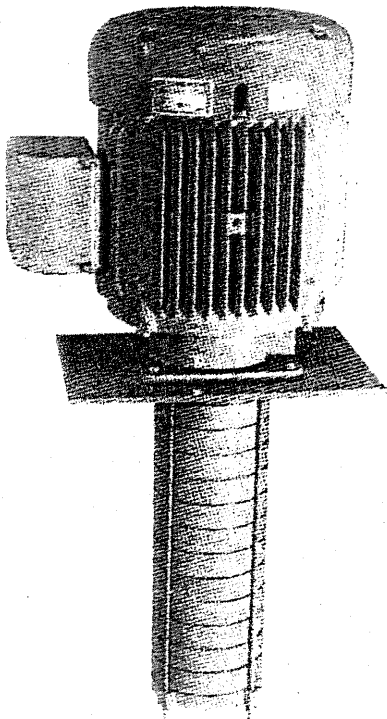
HEAD AND GALLONS PER MINUTE MEASURED AT DISCHARGE

5 Available mounted in 10 thru 200 gallon reservoir.

6 Discharge available in either N.P.T. or B.S.P.T.

7 Available in vertical or horizontal.

8 Custom options available upon request.

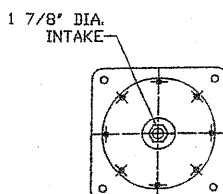
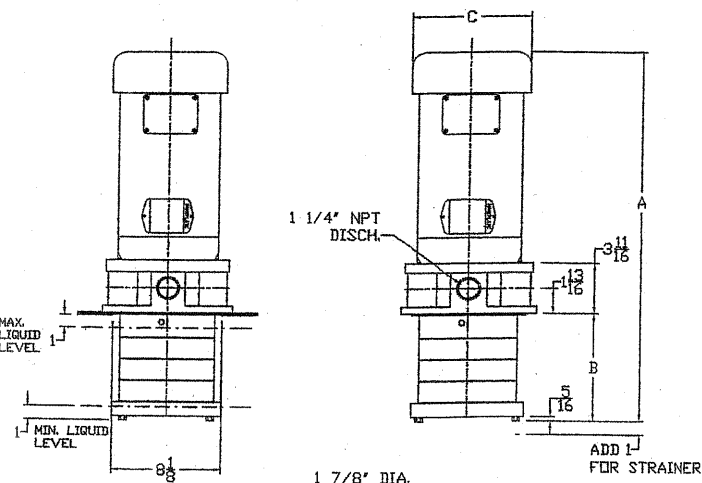
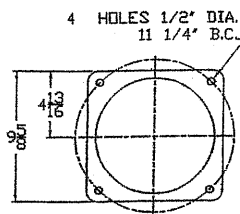


When Ordering Specify:

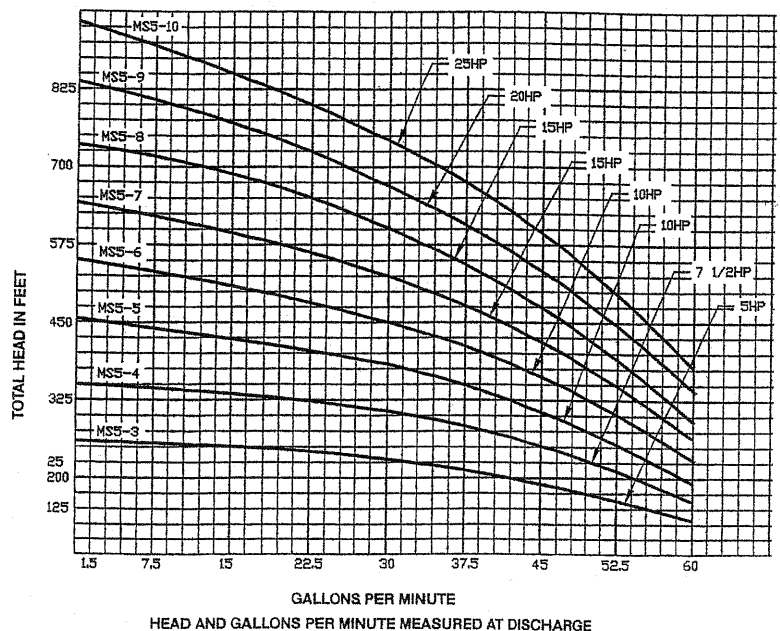
- Model No. MSC5
- Number of Stages
- Operating Conditions, G.P.M. & T.D.H. in Feet or P.S.I.
- Motor Horse Power and Current Characteristics
- N.P.T. or B.S.P.T. Discharge
- Motor Speed 3450 R.P.M.S.

DIMENSIONS IN INCHES

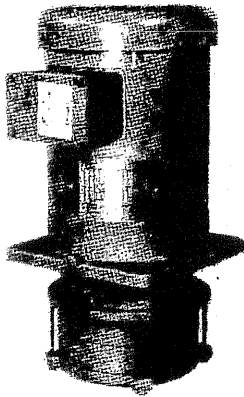
MODEL	HP	A	B	C
MSC5-3-500	5	25.26	6	8.5
MSC5-4-750	7.5	26.87	7.56	8.5
MSC5-5-1000	10	28.9	9.12	10.37
MSC5-6-1000	10	36.46	16.68	10.37
MSC5-7-1500	15	41.53	18.25	10.62
MSC5-8-1500	15	43.09	19.81	10.62
MSC5-9-2000	20	44.75	21.37	10.62
MSC5-10-2500	25	50	22.93	14.5



NOTES:
 * INCH (MM)
 † DIMENSION FOR 3 STAGES,
 ADD 1 1/16 (40) PER STAGE



GUSHER® High Pressure Centrifugal Multi-Stage Versatility

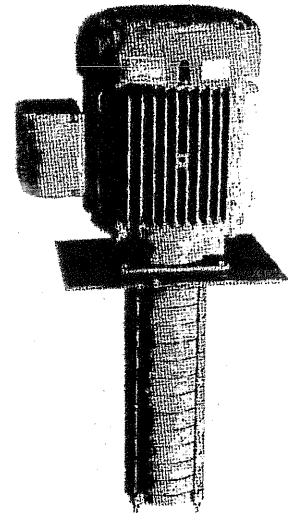


MODEL MS4

MODELS MS4 and MS5
End Suction Centrifugal Multi-Stage Available in 3 thru 10 Stages and 1½ thru 25 Horsepower.

STANDARD FEATURES:

1. Rugged Grade 30 Cast Iron Construction.
2. Built in Mounting Flange.
3. Balanced Mechanical Seal.
4. Above Mounting Flange Discharge.
5. Greased For Life Bearings.
6. Standard Motors are 3 Phase, 230/460 Volt, 3450 RPM, and TEFC.
7. ¾" NPT and 1¼" NPT Discharge.



MODEL MS5

OPTIONS:



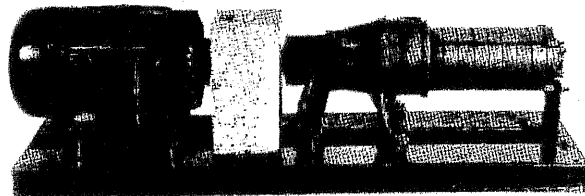
Offers Dual Discharges.
One for Low Volume and High Pressure,
One for High Volume and Low Pressure,
Both driven by one common motor.



Standard Models available with Column Tank, with Flanged or Threaded Intake for exterior tank mounting.



Available up to 36" of immersion with intermediate bushing.



Available in Base/Foot Mount.
Meets J.I.C. specifications.

Phone 859-824-3100
Fax 859-824-7248
www.gusher.com