

A RUTHMAN COMPANY

GUSHER PUMPS, INC.
115 INDUSTRIAL DRIVE
WILLIAMSTOWN, KY 41097
PHONE: 859-824-3100
FAX: 859-824-7428
www.gusher.com

MSC4 AND MSC5 MSC4-19A SERIES

MAINTENANCE • INSTALLATION • OPERATIONS

Instruction manual

TABLE OF CONTENTS

PUMP SAFETY TIPS	1
FOREWORD	2
PRECAUTIONS	3
NAMEPLATE INFORMATION	4
RECEIVING & INSPECTION	4
OPERATION & MAINTENANCE.....	5
VERTICAL MULTI-STAGE VERSATILITY	6
MSC4-19A DRAWING	7
MSC4 STANDARD MODELS DRAWING	8
MSC5 STANDARD MODELS 6 STAGES AND ABOVE DRAWING	9
TROUBLESHOOTING	10
DISASSEMBLY PROCEDURE.....	11
FOR ASSEMBLY REVERSE THE ABOVE PROCEDURE.....	11

PUMP SAFETY TIPS

SAFETY APPAREL

- Insulated work gloves when handling hot bearings or using bearing heater
- Heavy work gloves when handling parts that have sharp edges, especially impellers
- Safety glasses (with side shields) to protect eyes, especially in machine shop areas
- Steel-toed shoes to protect feet when handling parts, heavy tools, etc.
- Any other equipment needed to protect against hazardous/toxic fluids

COUPLING GUARDS

- Never operate a pump without coupling guards properly installed

FLANGED CONNECTIONS

- Never force piping to make connection with a pump
- Use only fasteners of proper size and material
- Ensure there are no missing fasteners
- Beware of corroded or loose fasteners

OPERATION

- Do not operate below minimum rated flow, or with suction/discharge valves closed.
- Do not open vent or drain valves, or remove plugs while the system is pressurized

MAINTENANCE SAFETY

- Always lockout power
- Ensure pump is isolated from the system and pressure is relieved before disassembling pump, removing plugs, or disconnecting piping
- Use proper lifting and supporting equipment to prevent serious injury
- Observe proper decontamination procedures
- Know and follow company safety regulations
- Never apply heat to remove impeller

FOREWORD

The design, craftsmanship, and materials used in Gusher pumps provides for optimum performance and long, trouble-free service. As with any mechanical device, proper use and periodic maintenance will enhance the performance and life of your pump. This manual is provided as a guideline for proper installation, operation and maintenance. THIS MANUAL MUST BE READ AND UNDERSTOOD BEFORE INSTALLING AND OPERATING ANY PUMP.

GUSHER PUMPS INC. SHALL NOT BE LIABLE FOR PHYSICAL INJURY, DAMAGE OR DELAYS CAUSED BY A FAILURE TO OBSERVE THE INSTRUCTIONS FOR INSTALLATION, OPERATION, AND MAINTENANCE CONTAINED IN THIS MANUAL.

WARRANTY

Gusher Pumps, Inc. will replace or repair, within one year of shipment from our plant, any pump in our judgment that has failed due to defects in materials or workmanship, provided the pump has been properly installed and maintained and has not been subject to abuse. These pumps must return to Gusher Pumps, Inc. with complete history of service for inspection and warranty consideration. Gusher Pumps, Inc. does not accept the responsibility for transportation to and from our plant. Furthermore, we do not assume any responsibility for consequential damage or loss of production.

WARRANTY IS ONLY VALID WHEN GENUINE GUSHER PARTS ARE USED.

Supervision by an authorized Gusher representative is recommended to ensure proper installation.

Additional manuals can be obtained by contacting your local Gusher representative or by calling 859-824-5001.

PRECAUTIONS

! WARNING !

Personal injury will result if procedures outlined in this manual are not followed.

- NEVER apply heat to remove impeller. It may explode due to trapped liquid.
- NEVER use heat to disassemble pump. Explosion could occur due to trapped liquid.
- NEVER operate pump without coupling guard correctly installed.
- NEVER operate pump beyond the rated conditions to which the pump was sold.
- NEVER start pump without proper prime (sufficient liquid in pump casing).
- NEVER operate pump below recommended minimum flow or when dry.
- ALWAYS lock out power to the motor before performing pump maintenance.
- NEVER operate pump without safety devices installed.
- NEVER operate pump with discharge valve closed.
- NEVER operate pump with suction valve closed.
- DO NOT change conditions of service without approval of an authorized Gusher representative.

NAMEPLATE INFORMATION

On the casing of every Gusher pump is a nameplate that provides information about the pump's hydraulic characteristics. This information will be used when ordering spare or replacement parts for your pump.

Gusher

MODEL

SERIAL HP

VOLTS

AMP. PH.

R.P.M. CY.

REF IMP.

GPM TDH IN FT.

RECEIVING and INSPECTION

Gusher Pumps, Inc. has taken great care in preparing your pump for shipment, however, due to circumstances beyond our control, your shipment may be received damaged. Therefore, we strongly recommend that you take a few minutes to check your pump upon receipt. Check for cracked, bent, severely misaligned (minor misalignments almost always occur during shipment), or even missing parts. If any such damage has occurred, you must report it to the delivering carrier and Gusher Pumps, Inc. immediately.

We also recommend that you check the model number, horsepower, current characteristics, and ft. head of pump received to ensure that you have received the pump you ordered for your specific operating conditions. If you should find some discrepancy, report it to Gusher at once.

If your pump is not going to be installed within six months, several precautions must be taken;

1. Preservative treatment of bearings and machined surfaces is required.
2. Remove packing on pumps with packed stuffing box, the stuffing box and shaft sleeve must be oil lubricated to also protect against moisture.
3. Units equipped with mechanical seals must also be oil lubricated with an oil can through the NPT port while rotating the shaft by hand.
4. Pump suction and discharge ports must be covered to prevent foreign material from getting into the pump and causing damage when pump is started at a later date.
5. Pump must be stored in a dry location.
6. Rotate pump shaft several times every other month.

OPERATION & MAINTENANCE

• OPERATION

Before starting the pump the reservoir should be filled to the minimum level so as to completely submerge the bottom pump impeller housing in the liquid which assures priming of the pump.

Upon initial start up we recommend that you check and maintain the minimum liquid level in your reservoir, it is also advisable to check your piping for leaks at this time. We also recommend that you check and record the pump discharge pressure, line voltage and amperage being drawn by the motor and operating temperature of the bearings. Temperature should be checked with a pyrometer, do not check by touch. Temperatures that are hot to the touch are often well within the maximum operating temperature of 225°F.

If a problem develops check the trouble shooting list on page 10. If you are unable to solve your problem please feel free to contact the factory.

• MAINTENANCE



Normally after proper installation and under normal operating conditions (8 hours daily duty in clean liquid with SG of 1) the pump requires very little attention.

Before shipment all Gusher pumps have been tested and greased at the plant, therefore lubrication is not necessary for approximately six to eight months. Remember, when lubricating ball bearings that too much grease will cause bearings to run hot, so grease bearings sparingly when it is necessary. We recommend the use of Chevron SRI #2 grease.

Because of the vast range of operating conditions it is difficult to recommend one set schedule for periodic maintenance. The more severe the application the more attention the pump will require. When a pump operates in a high temperature application (over 150°F) it is recommended to grease the ball bearings sparingly once a month (approx. 1 gram). In hostile environments where abrasives are present the pump may need to be inspected for wear quarterly. This should include inspection of the impellers, bushings and seals. On hostile duty pumps the lower bushing is constructed of Tungsten Carbide. This material is sensitive to thermal shock. Use caution when rapidly changing the temperature of the liquid. If the temperature change is too rapid bushing failure will occur.

Vertical Multi-Stage Versatility

This maintenance manual only applies to Gusher's standard multistage pumps.

	<p>MODELS MSC4 AND MSC5 End Suction Centrifugal Multi-Stage Available in 3 thru 10 Stages and 1 1/2 thru 25 Horsepower.</p> <p>STANDARD FEATURES:</p> <ol style="list-style-type: none">1. Rugged Grade 30 Cast Iron Construction.2. Built in Mounting Flange.3. Balanced Mechanical Seal.4. Above Mounting Flange Discharge.5. Greased For Life Bearings.6. Standard Motors are 3 Phase, 230/460 Volt, 3450 RPM, and TEFC.7. 3/4" NPT and 1 1/4" NPT Discharge.	
<p>MODEL MSC4</p>		<p>MODEL MSC5</p>

Listed below are some of the options available and due to the various pumps and pump applications this manual may not apply to your specific pump. If you have any questions please consult the factory: 859/824-5001 or FAX: 859/824-3011.

OPTIONS:

Offers Dual Discharges.
One for low Volume and High Pressure,
One for High Volume and Low Pressure,
Both driven by one common motor.

Available up to 36" of immersion with intermediate bushing.

Options available for Standard Models available with Column Tank, with Flanged or Threaded Intake for exterior tank mounting.

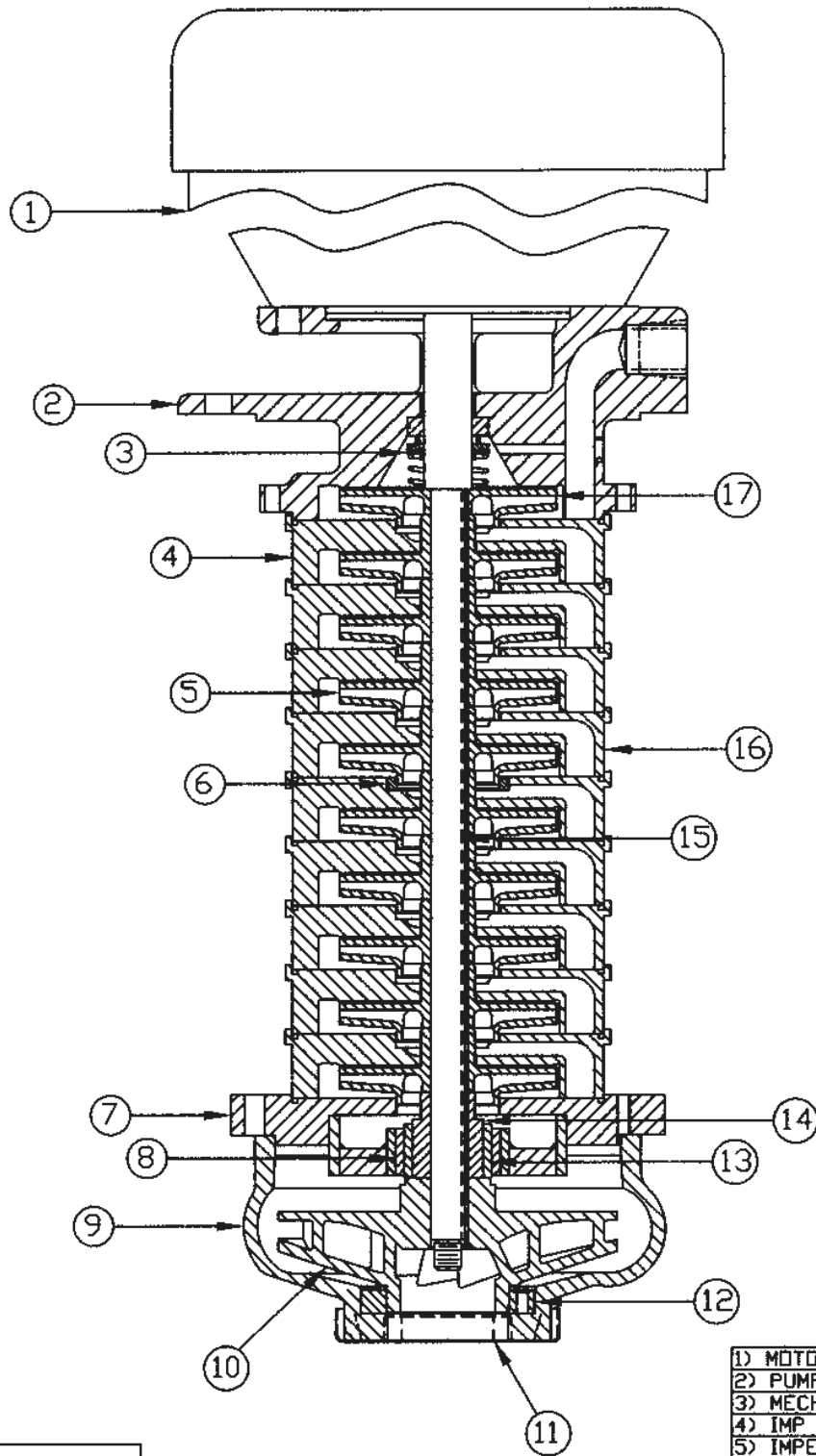
Drawings available upon request.



Available in Horizontal Mount Configuration.

MSC4-19A

NOTE: FOR PARTS CONTACT FACTORY WITH SERIAL NUMBER



1) MOTOR	10) IMPELLER
2) PUMP BODY	11) STRAINER
3) MECH SEAL	12) WEAR RING
4) IMP HSG	13) TC SLEEVE
5) IMPELLER	14) SLEEVE
6) CARBON BUSH	15) SHAFT
7) ADAPTER	16) IMP HSG
8) TC BUSHING	17) IMPELLER
9) IMP HSG	

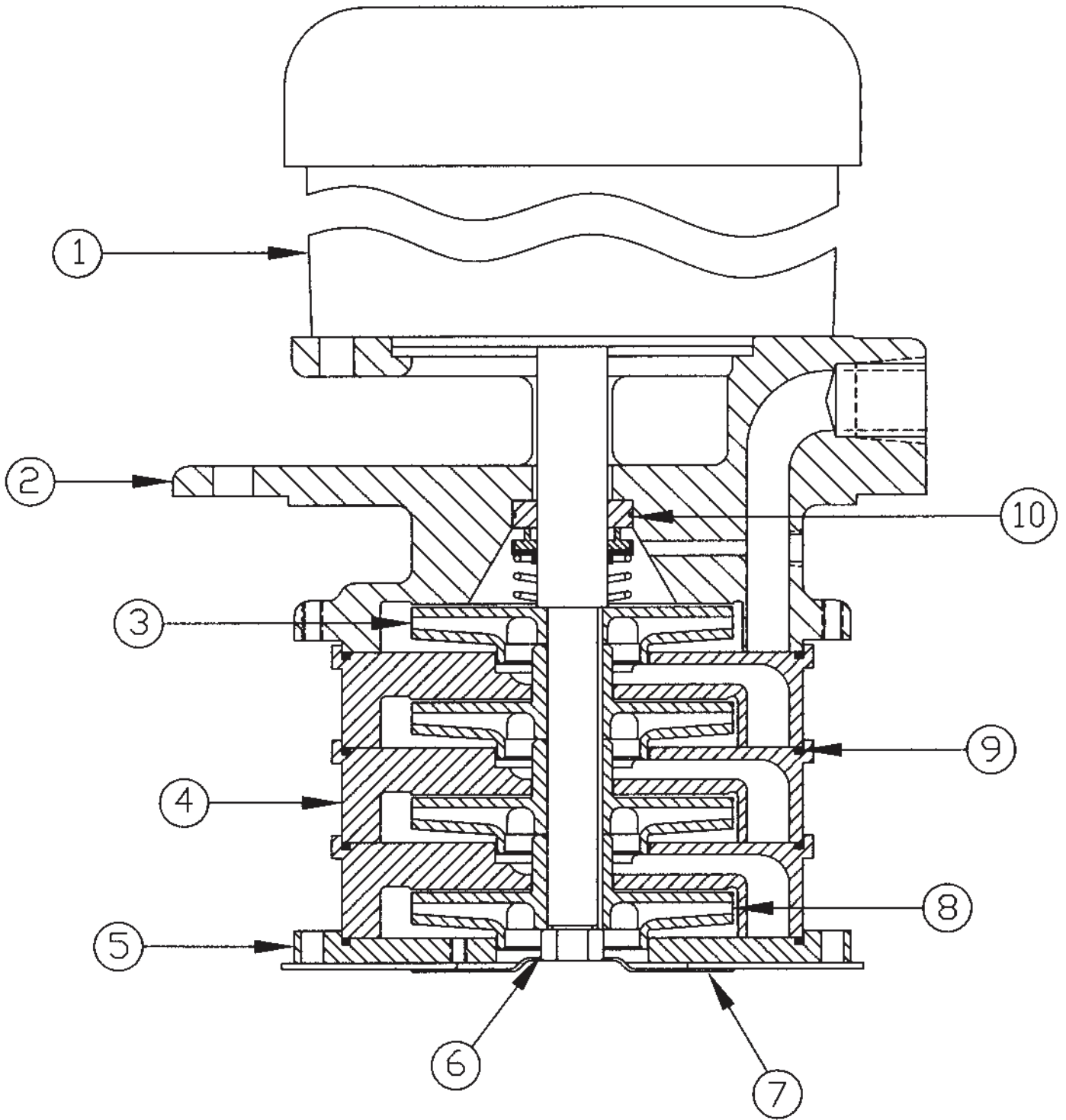
GUSHER PUMPS

DIVISION OF RUTHMAN PUMP AND ENGINEERING, INC.
RUTHMAN DRIVE-DRY RIDGE, KENTUCKY 41035

AK 080819-204

MSC4 STANDARD MODELS

NOTE: FOR PARTS CONTACT FACTORY WITH SERIAL NUMBER

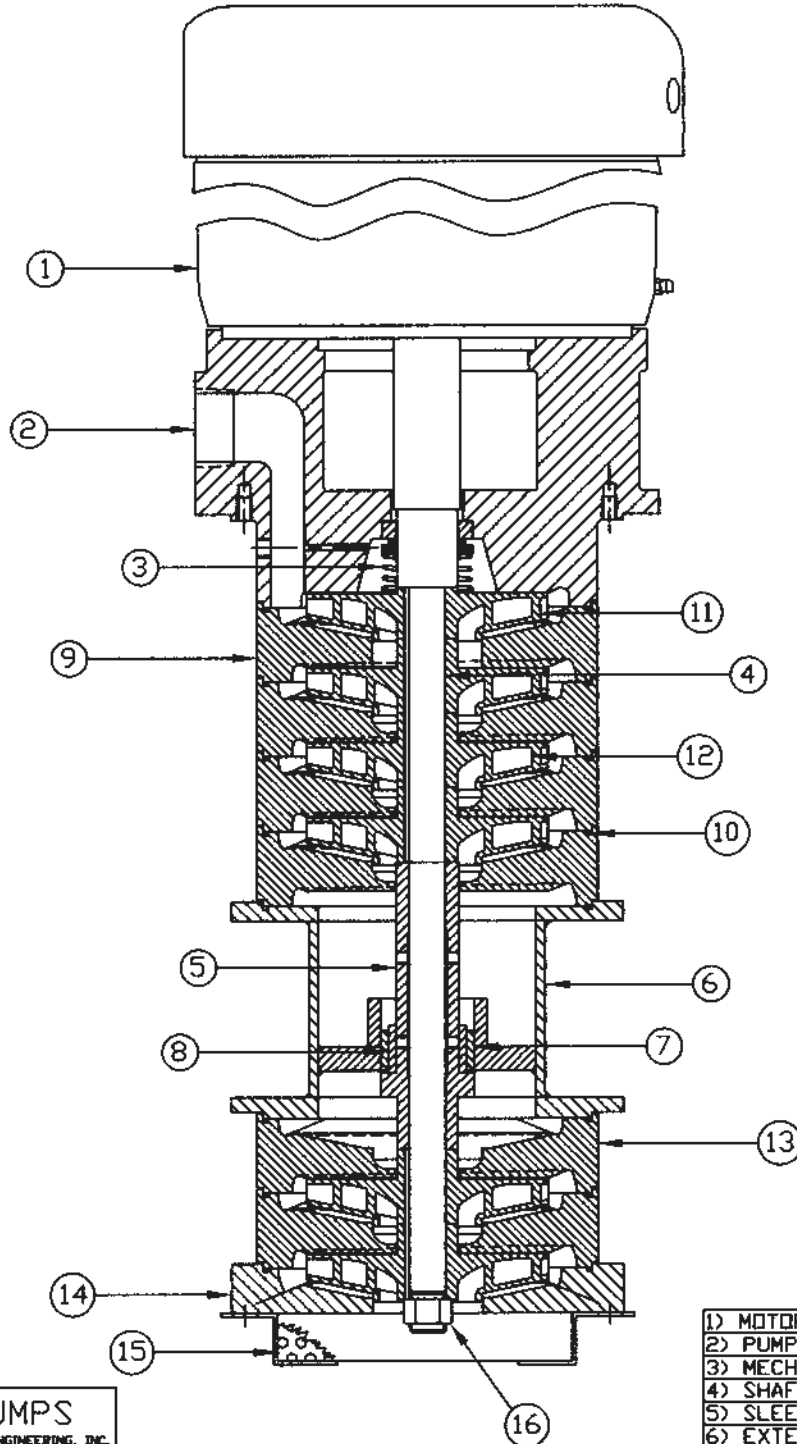


1) MOTOR	6) RET NUT
2) PUMP BODY	7) STRAINER
3) IMPELLER	8) IMPELLER
4) IMP HSG	9) O-RING
5) INT FLG	10) MECH SEAL

GUSHER PUMPS
 DIVISION OF RUTHMAN PUMP AND ENGINEERING, INC.
 RUTHMAN DRIVE-DRY RIDGE, KENTUCKY 41035
 AK 080819-203

MSC5 STANDARD MODELS 6 STAGES AND ABOVE

- *EXTENDED 6"
 - *TC BUSHING/SLEEVE
 - *VITON/SC/SC/TYPE 8 SEAL
 - *BUILT WITH 2 STAGES BELOW EXTENSION
- NOTE: FOR PARTS CONTACT FACTORY WITH SERIAL NUMBER



1) MOTOR	9) IMP HSG (1)
2) PUMP BODY	10) O-RING
3) MECH SEAL	11) IMPELLER (1)
4) SHAFT	12) IMPELLER (5)
5) SLEEVE	13) IMP HSG (5)
6) EXTENSION	14) INTAKE FLANGE
7) TC BUSHING	15) STRAINER
8) TC SLEEVE	16) RET NUT

GUSHER PUMPS
 DIVISION OF RUTHMAN PUMP AND ENGINEERING, INC.
 RUTHMAN DRIVE-DRY RIDGE, KENTUCKY 41035
 AK 080819-201

TROUBLESHOOTING

No liquid delivered

- Pump not primed
- Speed too low*
- Discharge head too high
- Suction line or suction strainer is clogged
- Impeller completely clogged
- Wrong direction of rotation
- Too much clearance between impeller and intake flange

Not enough water delivered

- Air leaks in suction or stuffing boxes
- Speed too low*
- Discharge head higher than anticipated
- Too much clearance between impeller and intake flange
- Impeller partially clogged
- Not enough suction head for hot water
- Mechanical defects:
 - Wear ring is worn
 - Impeller damaged
- Impeller diameter is too small
- Foot valve is too small
- Foot valve or suction opening not submerged deep enough

Vibration

- Bent shaft
- Pipe strain
- Impeller clogged
- Coupling alignment off

Not enough pressure

- Speed too low*
- Air in water
- Mechanical defects:
 - Wear ring is worn
 - Impeller damaged
- Impeller diameter too small

Pump works for a while then loses suction

- Leaky suction line
- Water seal plugged
- Impeller clogged
 - Air or gasses in liquid

Pump takes too much power

- Speed too high*
- Head lower than rating, pumps too much water
- Specific gravity or viscosity too high
- Mechanical defects:
 - Shaft bent
 - Power frame in bind
 - Wear ring is worn
- Impeller diameter too large
- Pump delivering too many gallons

* When directly connected to electric motors, check for full voltage across all electrical leads

DISASSEMBLY PROCEDURE

1. Turn the pump over to where the intake flange is up.
2. CAUTION! Before proceeding, be sure to mark the impeller housing on the outside so that you can put them back on in exactly the same position that you take them off and also number them so that you can put them back on in exactly the same order that they came off.
3. Remove the intake flange retaining bolts and remove the intake flange.
4. Before continuing, you need to remember to number the impellers so that you can put them back on in exactly the same order that you take them off of the shaft.
5. Remove the impeller retaining nut and remove the impeller. If the impeller is worn, replace it.
6. Remove the impeller housing. If the housing is worn, replace it.
7. Continue removing the impellers and the impeller housings remembering to mark impeller housings for position and the order that they are in; also remember to mark the impellers as far as order until you get to the final impeller.
8. When you get to the last impeller, extreme care should be taken in removing the last impeller because the mechanical seal is directly behind this impeller.

FOR ASSEMBLY REVERSE THE ABOVE PROCEDURE

In order to insure proper reassembly of your pump, be sure to do the following things:

1. Check the seal. If it is worn, replace it.
2. When you press the seat of the seal on the impeller use something that is non-metallic so that it won't damage the seal. Also, lubricate the impeller before pressing the seal onto the impeller hub.
3. When installing the impellers and the impeller housings, they must go back onto the shaft exactly the same way that they were removed.
4. Once you have reassembled the pump and have put the external fan back onto the shaft, rotate the pump shaft by hand to make sure that the pump turns freely and is not in a bind.



A RUTHMAN COMPANY

www.Gusher.com

GUSHER PUMPS LOCATIONS

Williamstown Headquarters

115 Industrial Road
Williamstown, KY 41097

Phone: 859.824.5001

Fax: 859.824.3011

Email: Info@Gusher.com

Dry Ridge Manufacturing

22 Ruthman Drive
Dry Ridge, KY 41035

Phone: 859.824.5001

Fax: 859.824.3011

Email: Info@Gusher.com

Dry Ridge Training Facility

3565 Dixie Highway
Dry Ridge, KY 41035

Phone: 859.824.5001

Email: Info@Gusher.com

New Castle Sales & Service

403 North Ninth Street
New Castle, IN 47362

Phone: 765.529.5624

Fax: 765.521.0008

Email: GusherNC@Gusher.com

Gusher Pumps, Shanghai

655 Caosheng Rd, Jiading District
Shanghai, China 201808

Phone: +86 (021) 55151993

Email: Flomo@Gusher.com

Ruthman Companies: A family-owned business supplying pumps for over 100 years



Ruthman Companies was co-founded in 1912 by brothers Alois and Edward Ruthman as the "Ruthman Machinery Company." Based in Cincinnati, the company serviced the steamboats that traveled the Ohio River.

In 1924, Alois conceived the first sealless centrifugal pump, coining the term 'coolant pump.' The brothers named this new pump "Gusher," giving birth to what is now Ruthman Companies' flagship brand, Gusher Pumps.

Alois' son Thomas R. Ruthman joined the family business in 1949, growing the business globally through organic growth and the acquisition of complementary technologies. In the early 1990's, Alois' grandson, Thomas G. Ruthman, became the third generation of Ruthmans in the pump business. Over the years, Ruthman Companies has expanded its product line from the original centrifugal coolant pumps to include valves, vertical turbine pumps, positive displacement pumps, gear pumps, and other specialized pump equipment, while upholding its reputation as a leader in the custom engineering of pumps for the most challenging applications.

RUTHMAN COMPANIES MANUFACTURING DIVISIONS

BSM Pump Corp.

180 Frenchtown Road
North Kingstown, RI 02852

Phone: 401.471.6350

Fax: 401.471.6370

Email: Sales@BSMPump.com

www.BSMPump.com

Fulflo Hydraulic Valves

459 East Fancy Street
Blanchester, OH 45107

Phone: 937.783.2411

Fax: 937.783.4983

Email: Info@Fulflo.com

www.Fulflo.com

Nagle Pumps

1249 Center Avenue
Chicago Heights, IL 60411

Phone: 708.754.2940

Fax: 708.754.2944

Email: Info@NaglePumps.com

Process Systems Inc., Headquarters

23633 Pinewood Street
Warren, MI 48091

Phone: 586.757.5711

Fax: 586.758.6996

Email: Sales@PSI4Pumps.com

www.PSI4Pumps.com

Process Systems Inc., Midwest Service

485 N. State Route 341 South
Mellott, IN 47958

Phone: 765.295.2206

Fax: 765.295.2343

Email: Sales@PSI4Pumps.com

www.PSI4Pumps.com

RAE Pumps

1212 Streng Street
Cincinnati, OH 45223

Phone: 513.779.3034

www.RuthmanCompanies.com

Ruthman Pumps & Service

1212 Streng Street
Cincinnati, OH 45223

Phone: 513.559.3546

www.RuthmanCompanies.com

RUTHMAN COMPANIES GLOBAL DIVISIONS

Ruthmann Pumpen, LLC

Thomas-Edison-Str. 11
D-52499 Baesweiler
Germany

Phone: +49 (0) 2401 80489-0

Fax: + 49 (0) 2401 80489-20

Email: Info@RuthmannPumpen.de

www.RuthmannPumpen.de

RUTHMAN COMPANIES HEADQUARTERS

7236 Tylers Corner Drive
West Chester, OH 45069

Phone: 513.559.1901

www.RuthmanCompanies.com



RUTHMAN
Engineering Pump Solutions™