



A RUTHMAN COMPANY
www.Gusher.com

High Pressure Centrifugal Industrial Pumps

**Vertical & Horizontal
Multi-Stage
Coolant Series**



RUTHMAN
Engineering Pump Solutions™

Multi-Stage Series

Features Available:

1. Pressure to 400 psi
2. Pressurized System.
3. Double Pump, High and Low Pressure with one common motor.
4. Balanced mechanical seal or silicon and tungsten available.
5. Available mounted in either 10 through 200 gallon reservoir.
6. Discharge available in either N.P.T. or B.S.P.T.
7. Available in Vertical or Horizontal.
8. Custom options available upon request.



Services:

High Pressure Machine Tools

Vertical Multi-Stage Versatility



Models MS4 and MS5 End Suction Centrifugal Multi-Stage Available in 3 through 10 Stages and 1½ through 25 Horsepower.

Standard Features:

1. Rugged Grade 30 Cast Iron Construction.
2. Built in Mounting Flange.
3. Balanced Mechanical Seal.
4. Above Mounting Flange Discharge.
5. Greased For Life Bearings.
6. Standard Motors are 3 Phase, 230/460 Volt, 3450 rpm, and TEFC.
7. ¾" NPT and 1¼" NPT 2 Discharge.
8. Available in Base mounted or other Mounting Styles contact factory.



Multi-Stage Options:

☐ Offers Dual Discharges.

One for low volume and high pressure, one for high volume and low pressure.

Both driven by one common motor.

☐ Available up to 36" of immersion with intermediate bushing.

☐ Standard models available with column tank, with flanged or threaded intake for exterior tank mounting.

Due to the various pumps and pump applications this manual may not apply to your specific pump. If you have any questions please consult the factory: 859-824-3100 or Fax: 859-824-7248.



Multi-Stage MSC3.5/ MSC4

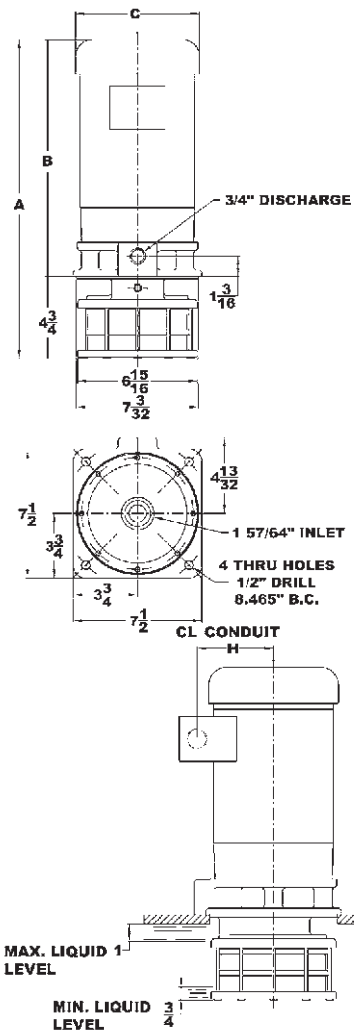


When Ordering Specify:

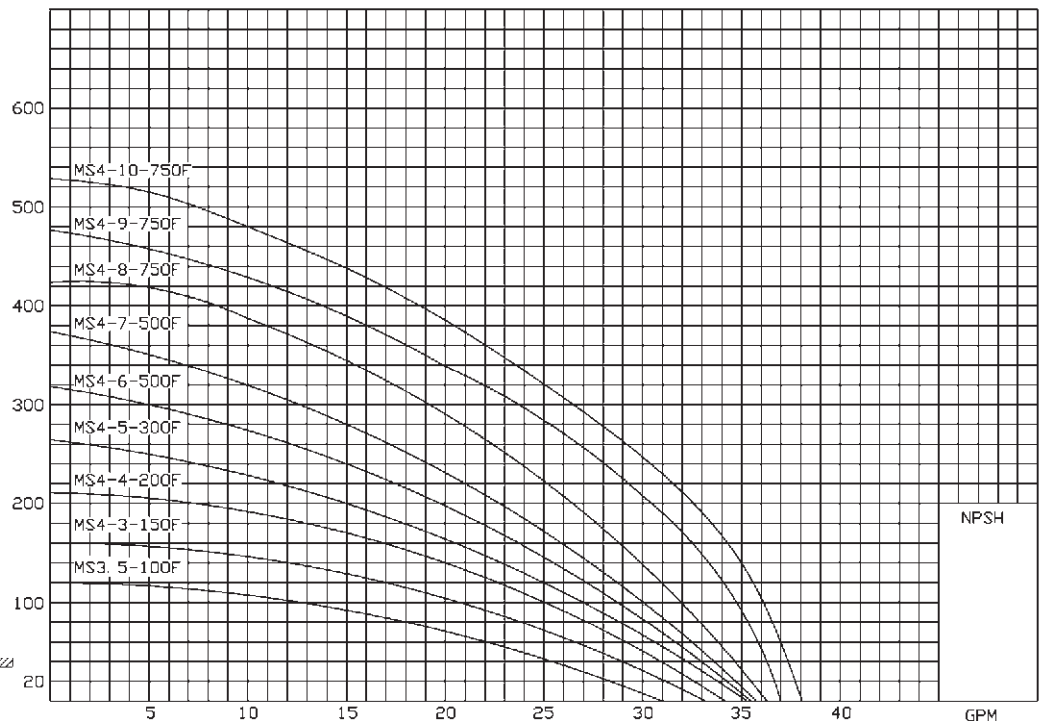
- Model No. MSC3.4 or MSC4
- Number of Stages
- Operating Conditions, gpm, and T.D.H. in feet or psi
- Motor Horse Power and Current Characteristics
- N.P.T. or B.S.P.T. Discharge
- Motor Speed 3450 rpm

DIMENSIONS IN INCHES (mm)*

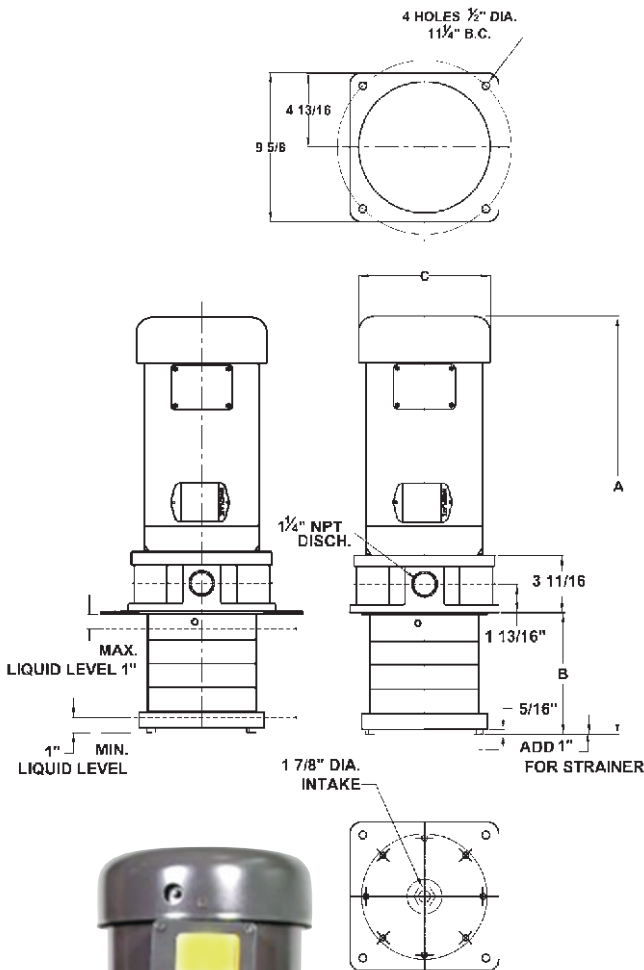
STAGES	MODEL	DISCH.	HP	A	B	C	G	H
1	MSC3.5-3-100FJ	3/4	1	17.49 (444)	12.75 (324)	7.0 (178)	5.25 (133)	4.25 (108)
3	MSC4-3-150FJ	3/4	1 1/2	17.49 (444)	12.75 (324)	7.0 (178)	5.25 (133)	4.25 (108)
4	MSC4-4-200FJ	3/4	2	19.69 (500)	13.75 (349)	7.0 (178)	5.25 (133)	4.25 (108)
5	MSC4-5-300FJ	3/4	3	21.63 (550)	14.50 (358)	7.0 (178)	5.25 (133)	4.25 (108)
6	MSC4-6-500FJ	3/4	5	24.08 (612)	15.75 (400)	8.5 (216)	5.87 (149)	4.87 (124)
7	MSC4-7-500FJ	3/4	5	25.50 (648)	15.75 (400)	8.5 (216)	5.87 (149)	4.87 (124)
8	MSC4-8-500FJ	3/4	5	26.75 (444)	15.75 (400)	8.5 (216)	5.87 (149)	4.87 (124)
8	MSC4-8-750FJ	3/4	7 1/2	28.25 (718)	17.25 (438)	8.5 (216)	5.87 (149)	4.87 (124)
9	MSC4-9-750FJ	3/4	7 1/2	29.25 (743)	17.25 (438)	8.5 (216)	5.87 (149)	4.87 (124)
10	MSC4-10-750FJ	3/4	7 1/2	30.50 (775)	17.25 (438)	8.5 (216)	5.87 (149)	4.87 (124)



MSC3.5 & MSC4 with Impeller 25128



Multi-Stage MSC5



When Ordering Specify:

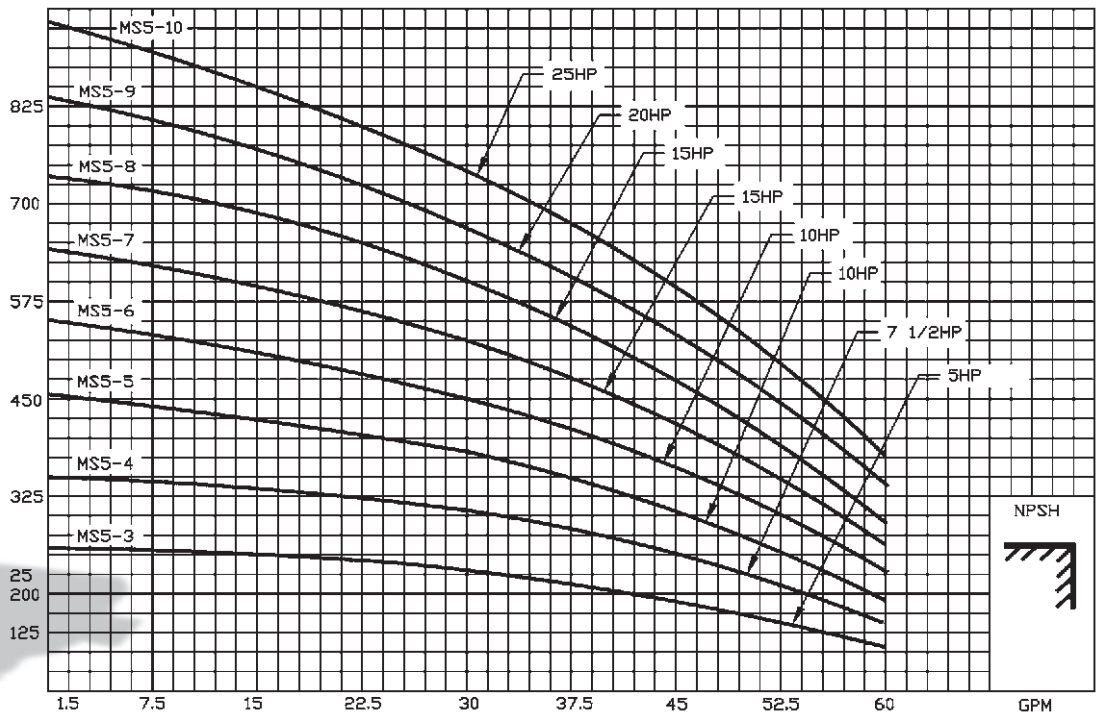
- Model No. MSC5
- Number of Stages
- Operating Conditions, gpm and T.D.H. in feet or psi
- Motor Horse Power and Current Characteristics
- N.P.T. or B.S.P.T. Discharge
- Motor Speed 3450 rpm

DIMENSIONS IN INCHES

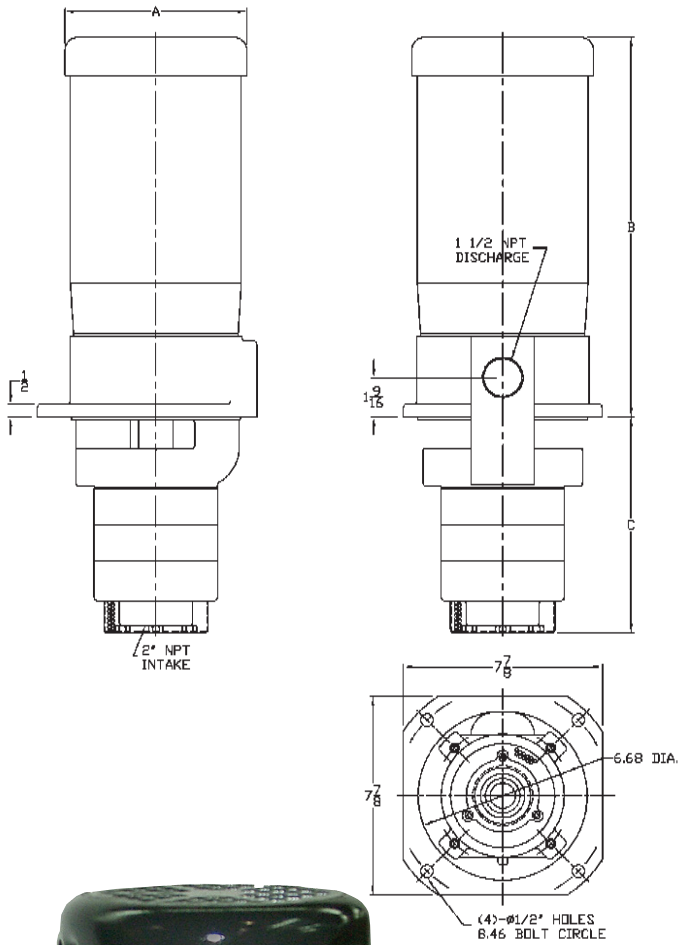
MODEL	HP	A	B	C
MSC5-3-500	5	25.26	6	8.5
MSC5-4-750	7.5	26.87	7.56	8.5
MSC5-5-1000	10	28.9	9.12	10.37
MSC5-6-1000	10	36.46	16.68	10.37
MSC5-7-1500	15	41.53	18.25	10.62
MSC5-8-1500	15	43.09	19.81	10.62
MSC5-9-2000	20	44.75	21.37	10.62
MSC5-10-2500	25	50	22.93	14.5



MS5 with Impeller 25128



Multi-Stage MSD4



When Ordering Specify:

- Model No. MSD4
- Number of Stages
- Operating Conditions at gpm and T.D.H. in feet
- Motor Horse Power and Current Characteristics

Note: 208/230/460 volts
60 cycles Standard

Mounting Hole Size: 6.75

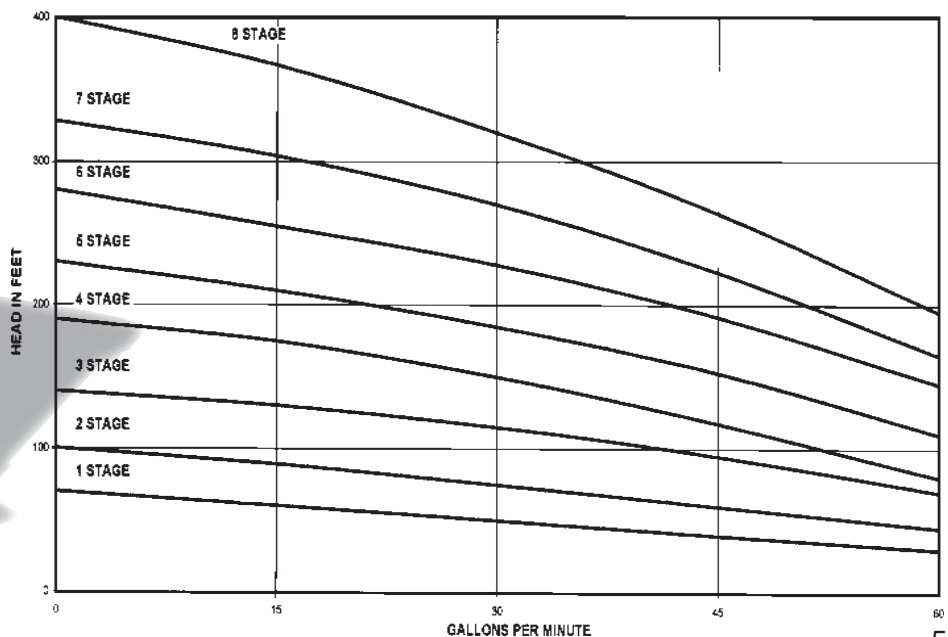
Other current characteristics available.

DIMENSIONS IN INCHES

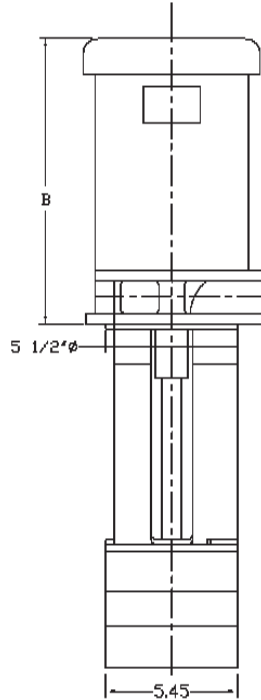
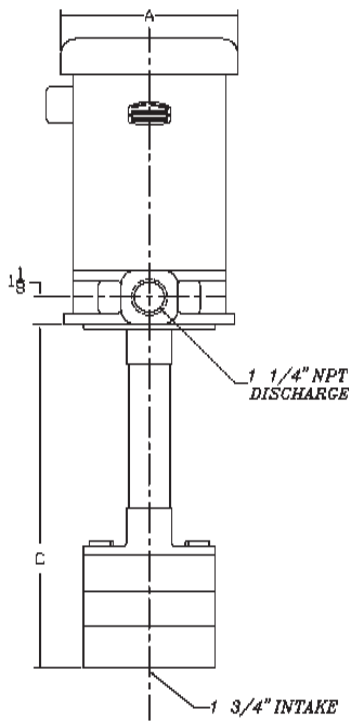
STAGES	HP	A	B	C
1	1.0	7.25	12.0	5.25
2	2.0	7.25	13.0	6.68
3	3.0	7.25	13.68	8.12
4	5.0	8.50	15.18	9.56
5	5.0	8.50	15.18	11.00
6	5.0	8.50	15.18	12.43
7	7.5	8.50	16.93	13.87
8	10.0	10.25	17.43	15.31



MSD4
3450 RPM



Multi-Stage MSV



When Ordering Specify:

- Model No. MSV
- Number of Stages
- Operating Conditions at gpm
- Motor Horse Power and Current Characteristics
- 'C' Dimensions in Inches

Note: 230/460 volts

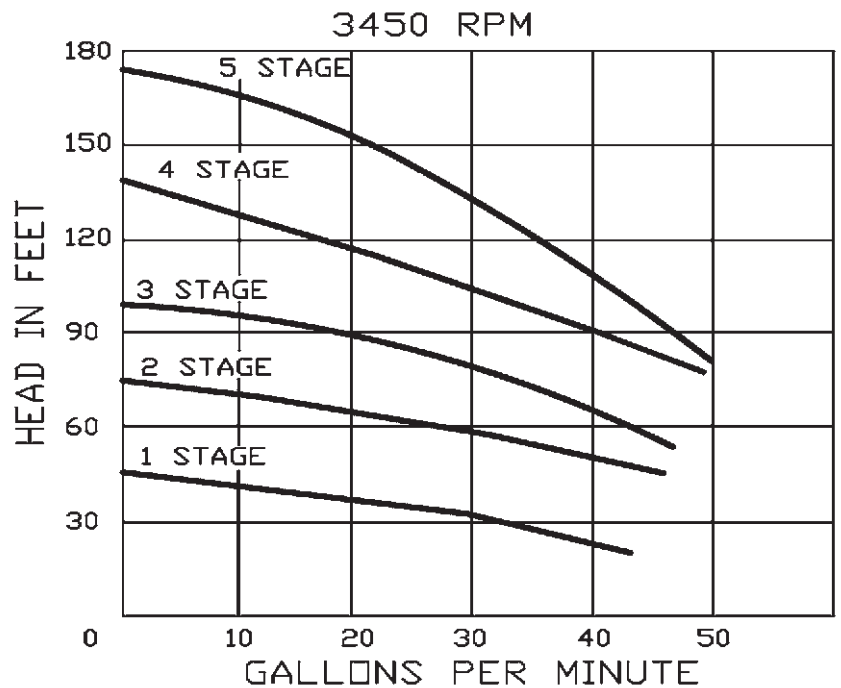
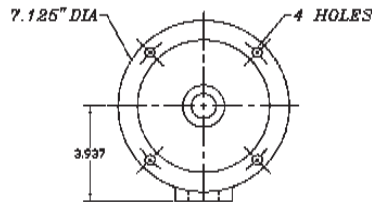
60 cycles Standard

Mounting Hole Size: 5.625

Other current characteristics available.

DIMENSIONS IN INCHES

STAGES	HP	A	B	C
1	1.0	7.0	13.12	3.68
2	2.0	7.0	14.12	5.25
3	3.0	7.0	14.87	6.81
4	3.0	7.0	14.87	8.37
5	5.0	8.5	16.12	9.93





A RUTHMAN COMPANY

www.Gusher.com

Ruthman Companies: A family-owned business supplying pumps for over 100 years



Ruthman Companies was co-founded in 1912 by brothers Alois and Edward Ruthman as the Ruthman Machinery Company. Based in Cincinnati, the company serviced the steamboats that traveled the Ohio River.

In 1924, Alois conceived the first sealless centrifugal pump, coining the term "coolant pump." The brothers named this new pump "Gusher," giving birth to what is now Ruthman Companies' flagship brand, Gusher Pumps.

Alois' son Thomas R. Ruthman joined the family business in 1949, growing the business globally through organic growth and the acquisition of complementary technologies. In the early 1990s, Alois' grandson, Thomas G. Ruthman, became the third generation of Ruthmans in the pump business. Over the years, Ruthman Companies has expanded its product line from the original centrifugal coolant pumps to include valves, vertical turbine pumps, positive displacement pumps, gear pumps, and other specialized pump equipment, while upholding its reputation as a leader in the custom engineering of pumps for the most challenging applications.

GUSHER PUMPS LOCATIONS

Williamstown Headquarters

115 Industrial Road
Williamstown, KY 41097

Phone: 859.824.5001

Fax: 859.824.3011

Email: Info@Gusher.com

Dry Ridge Manufacturing

22 Ruthman Drive
Dry Ridge, KY 41035

Phone: 859.824.5001

Fax: 859.824.3011

Email: Info@Gusher.com

Dry Ridge Training Facility

3565 Dixie Highway
Dry Ridge, KY 41035

Phone: 859.824.5001

Email: Info@Gusher.com

New Castle Sales & Service

403 North Ninth Street
New Castle, IN 47362

Phone: 765.529.5624

Fax: 765.521.0008

Email: GusherNC@Gusher.com

Gusher Pumps, Shanghai

655 Caosheng Rd, Jiading District
Shanghai, China 201808

Phone: +86 (021) 55151993

Email: Flomo@Gusher.com

RUTHMAN COMPANIES MANUFACTURING DIVISIONS

BSM Pump Corp.

180 Frenchtown Road
North Kingstown, RI 02852

Phone: 401.471.6350

Fax: 401.471.6370

Email: Sales@BSMPump.com

www.BSMPump.com

Fulflo Hydraulic Valves

459 East Fancy Street
Blanchester, OH 45107

Phone: 937.783.2411

Fax: 937.783.4983

Email: Info@Fulflo.com

www.Fulflo.com

Nagle Pumps

1249 Center Avenue
Chicago Heights, IL 60411

Phone: 708.754.2940

Fax: 708.754.2944

Email: www.NaglePumps.com

Process Systems Inc., Headquarters

23633 Pinewood Street
Warren, MI 48091

Phone: 586.757.5711

Fax: 586.758.6996

Email: Sales@PSI4Pumps.com

www.PSI4Pumps.com

Process Systems Inc., Midwest Service

485 N. State Route 341 South
Mellott, IN 47958

Phone: 765.295.2206

Fax: 765.295.2343

Email: Sales@PSI4Pumps.com

www.PSI4Pumps.com

RAE Pumps

1212 Steng Street
Cincinnati, OH 45223

Phone: 513.779.3034

www.RuthmanCompanies.com

Ruthman Pumps & Service

1212 Steng Street
Cincinnati, OH 45223

Phone: 513.559.3546

www.RuthmanCompanies.com

RUTHMAN COMPANIES GLOBAL DIVISIONS

Ruthmann Pumpen, LLC

Thomas-Edison-Str. 11
D-52499 Baesweiler
Germany

Phone: +49 (0) 2401 80489-0

Fax: + 49 (0) 2401 80489-20

Email: Info@RuthmannPumpen.de

www.RuthmannPumpen.de

RUTHMAN COMPANIES HEADQUARTERS

7236 Tylers Corner Drive
West Chester, OH 45069

Phone: 513.559.1901

www.RuthmanCompanies.com



RUTHMAN
Engineering Pump Solutions™

RC19-002/03-20