



# Seal Install Guide

KEEP THIS GUIDE FOR REFERENCE

## Before You Begin

- Read this entire guide before starting seal installation.
- Verify you have the correct seal replacement parts for your pump. Pumps with stainless steel construction vary slightly from standard pumps of the same model. Replacement parts should be ordered by pump serial number.
- To ensure proper seal, primary and secondary sealing areas must be kept clean. Do not touch sealing surfaces (sealing faces, O-rings, wedges, and bellows). Any contaminant, including natural skin oils, can cause seal leakage.
- Handle all components carefully to avoid breakage.
- Ensure shaft or sleeve has no nicks, burrs or sharp edges.
- To avoid potential vapor lock and seal burnout, bleed all trapped gases from the seal cavity before start-up.
- Seals should always be exposed to positive flow of liquid to avoid burnout. All valves must be open on the suction side of the pump during operation.

## Seal Assembly Components

- A. Spring and Retainer
- B. Rotary Seal Head
- C1. Stationary Seat - O-ring groove
- C2. Stationary Seat - rubber cup elastomer

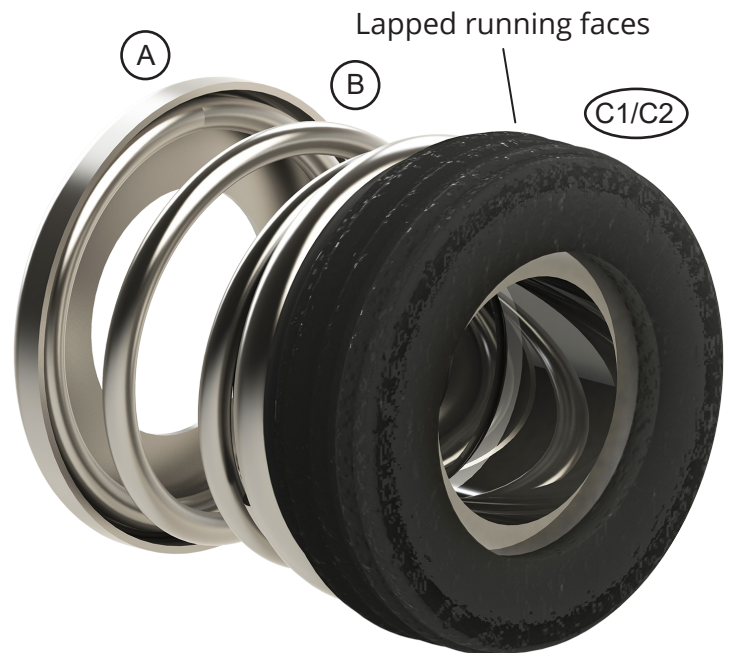
### CAUTION!

Handle seals with care. Avoid touching the lapped sealing surface of the rotary washer and stationary seat.

### STOP!

- Use clean, soft cloth during installation
- Protect seal faces at all times

See reverse side for full step by step install instructions.



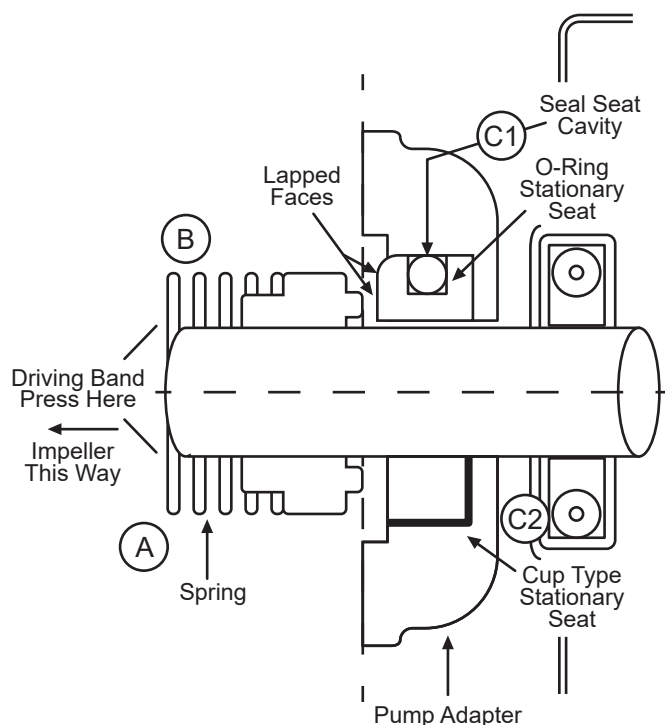
O-ring groove stationary seat (C1) shown above

**DOWNLOAD FULL MANUAL FROM OUR WEBSITE**

[www.Gusher.com](http://www.Gusher.com) | 859.824.5001

## Step 1: Stationary Seat (C1/C2) Installation

1. Clean seal seat cavity of seal gland.
2. Position stationary seat with the lapped face (shiny side) facing you.
3. Lubricate the seat O-ring or cup elastomer.
4. Press stationary seat into seal cavity of the pump squarely and evenly. Avoid touching or scratching the lapped surface.
5. Inspect the face of the stationary seat for dirt. Carefully wipe with a soft cloth to remove any dust or fingerprints.



## Step 2: Rotary Seal Head (B) Installation

1. Clean, polish and lubricate the shaft (or shaft sleeve).
2. Lubricate the rotating head elastomer.
3. Check lapped faces on the stationary seat and rotary seal head for dirt. Wipe carefully with soft cloth, if needed.
4. Slide the rotary seal head on the shaft with the rotating face facing the stationary seat. Press the drive band until the head seats firmly against the seat.
5. Install spring.
6. Install impeller. This will compress the spring to apply the correct pressure on the lapped faces.

## Step 3: Final Check And Startup

1. Both the seat and rotary seal head should be square to the shaft. Check the installation from behind the seal cavity to verify entire seal assembly is seated squarely.
2. Bleed all trapped gases from the seal cavity.
3. Ensure all valves on the suction side of the pump are open.
4. Restart pump.

## CAUTION!

Never operate a seal dry.  
The pumped liquid should ensure proper lubrication.  
Slight leakage may occur, this is usually remedied  
by a short period of pump operation.

DOWNLOAD FULL MANUAL FROM OUR WEBSITE

[www.Gusher.com](http://www.Gusher.com) | 859.824.5001



RC21-016/05-2023